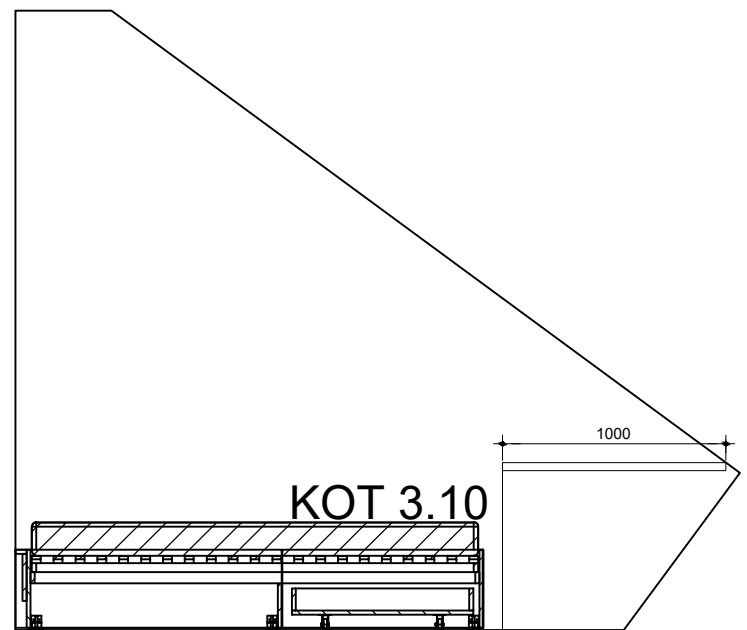
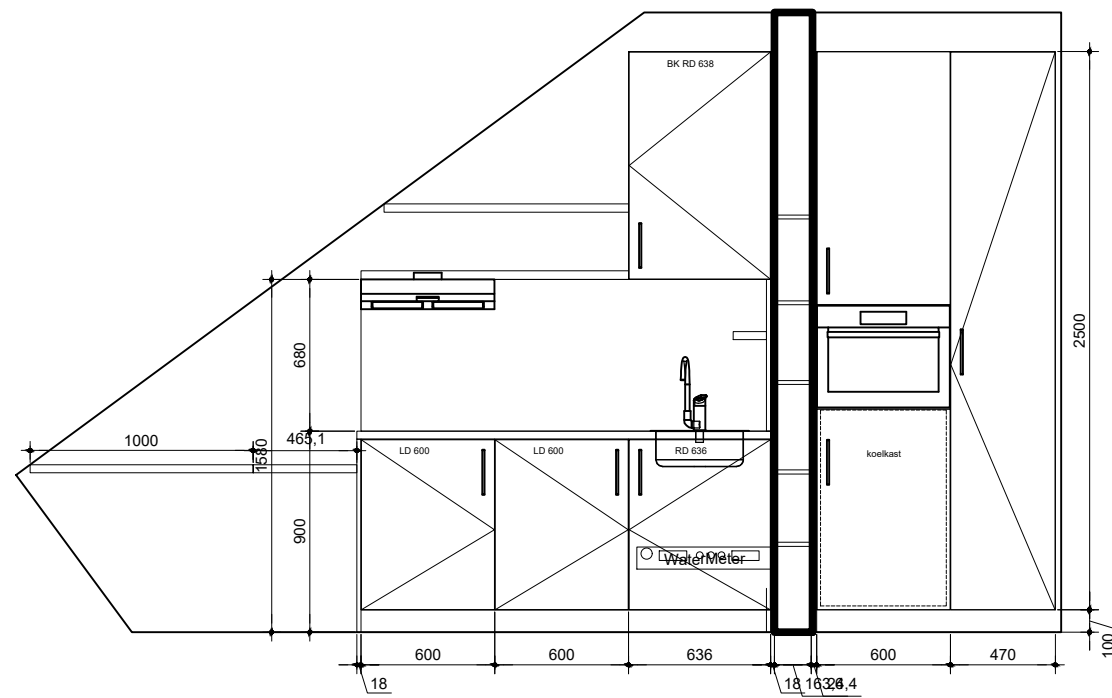


KOT 3.10



KOT 3.10

Alle maten en maatvoeringen in het werk te controleren

Revisie	
1	
2	
3	
4	
5	
6	
7	
8	
9	
10	



B Kruisbaak 51 2165 AZ Lisserbroek
 P Postbus 251 2160 AG Lisse
 T 0252 532 134 info@hemlock.nl
 F 0252 532 508 www.hemlock.nl

customer: Bruno Sedeyn
 project: 46 studentenkamers
 location: Brussel
 project nr.: 208115
 subject: Kot 3.10

date: 23-11-2020 | Scale: 1:30
 rev_date: *
 floor: 03
 draw nr.: K3.10

UNLESS OTHERWISE SPECIFIED DIMENSIONS ARE IN MILLIMETERS
 Tolerances for linear and angular dimensions without individual
 tolerance indication all according NEN-ISO 2768-1 and 2
 The information contained in this drawing is the sole property of Hemlock BV. Any reproduction in
 part or whole without the written permission of Hemlock BV is prohibited