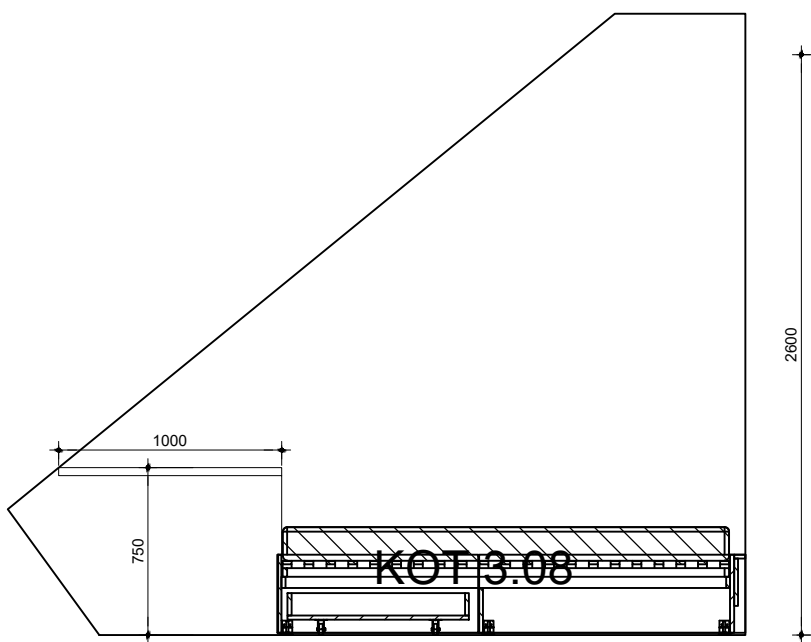
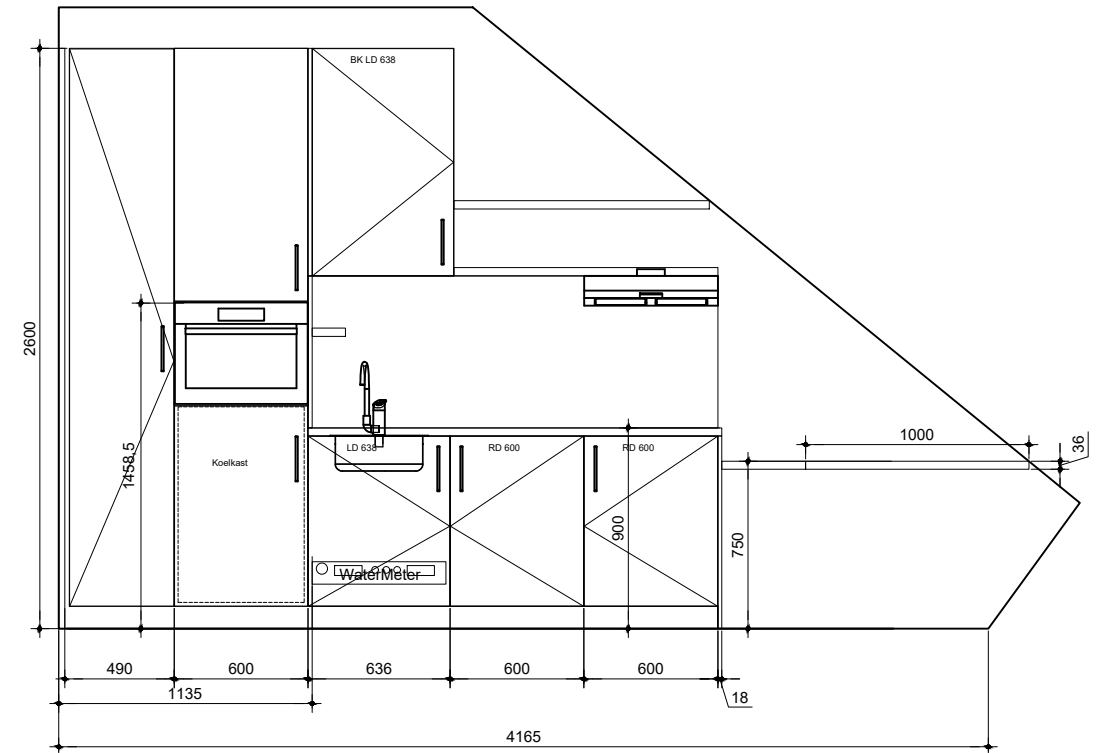


KOT 3.08



Alle maten en maatvoeringen in het werk te controleren

|         |  |
|---------|--|
| Revisie |  |
|         |  |



B Kruisbaak 51 2165 AZ Lisserbroek  
 P Postbus 251 2160 AG Lisse  
 T 0252 532 134 info@hemlock.nl  
 F 0252 532 508 www.hemlock.nl

customer: Bruno Sedeyn  
 project: 46 studentenkamers  
 location: Brussel  
 project nr.: 208115  
 subject: Kot 3.08

date: 23-11-2020 | Scale: 1:30  
 rev\_date: \*  
 floor: 03  
 draw nr.: K3.08

UNLESS OTHERWISE SPECIFIED DIMENSIONS ARE IN MILLIMETERS  
 Tolerances for linear and angular dimensions without individual  
 tolerance indication all according NEN-ISO 2768-1 and 2  
 The information contained in this drawing is the sole property of Hemlock BV. Any reproduction in  
 part or whole without the written permission of Hemlock BV is prohibited