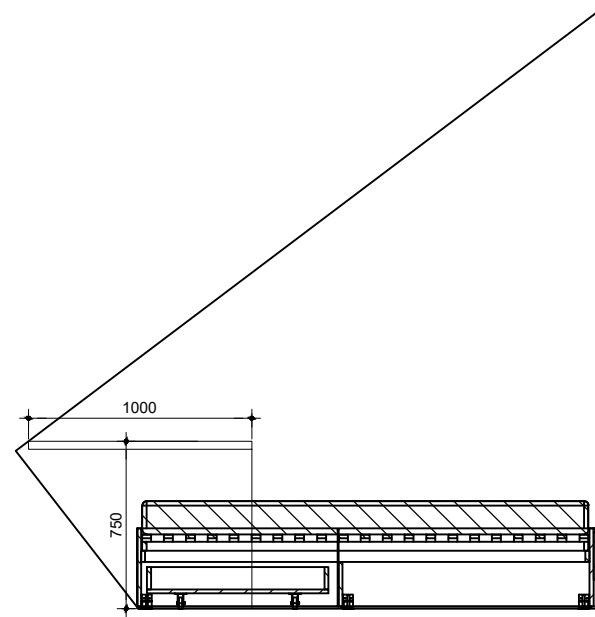
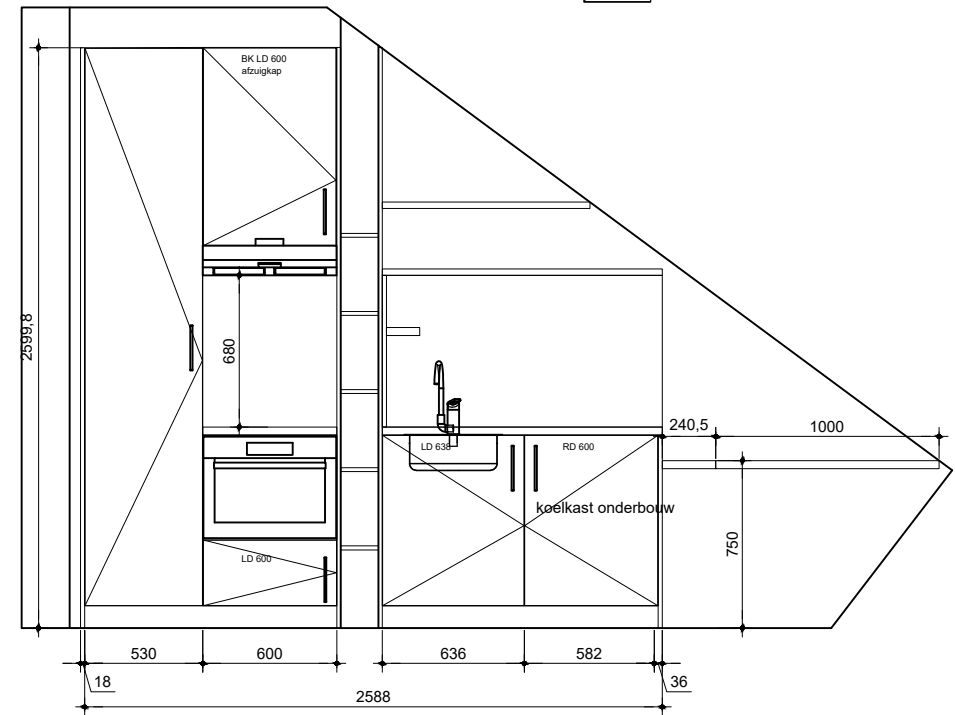


KOT 3.02

KOT 3.02



KOT 3.02

Alle maten en maatvoeringen in het werk te controleren

Revisie	
1	
2	
3	
4	
5	
6	
7	
8	
9	
10	

Hemlock
project & winkelrichting

B Kruisbaak 51 2165 AZ Lissebroek
P Postbus 251 2160 AG Lisse
T 0252 532 134 info@hemlock.nl
F 0252 532 508 www.hemlock.nl

customer: Bruno Sedeyn
project: 46 studentenkamers
location: Brussel
project nr.: 208115
subject: Kot 3.02

date: 23-11-2020 | Scale: 1:30
rev_date: *
floor: 03
draw nr.: K3.02

UNLESS OTHERWISE SPECIFIED DIMENSIONS ARE IN MILLIMETERS
Tolerances for linear and angular dimensions without individual
tolerance indication all according to EN ISO 2768-1 and 2
The information contained in this drawing is the sole property of Hemlock BV. Any reproduction in
part or whole without the written permission of Hemlock BV is prohibited

K:\PROJECTEN\2020\HP\Orders\208115\01 Tekeningen\04 Tekening\04 Werkvoorbereiding\02 AutoCAD\2015 Layout_R02.dwg